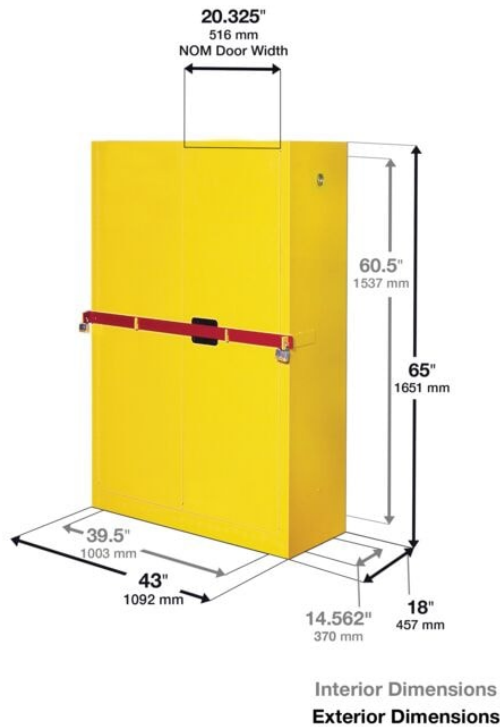

45 Gallon, 2 Shelves, 2 Doors, Self Close, Pesticides Safety Cabinet With Steel Bar, Sure-Grip® EX High Security, Green - SC29884P

Product Images





Short Description

- Suitable for high risk environments
- Protect workers
- Reduce fire risks
- Meet safety codes
- Ten-year warranty
- Multiple color options available

Description

Protect workers, reduce fire risks, and improve productivity by storing flammable fuels and chemicals in code-compliant safety cabinets. Designed to meet OSHA and NFPA standards, Sure-Grip® EX cabinets are constructed of sturdy 18-gauge (1-mm) thick double-wall, welded steel with 1-1/2" (38-mm) of insulating air space for fire resistance. High-performance, self-latching doors close easily and securely for maximum protection under fire conditions. Fail-safe closing mechanism ensures three-point stainless steel bullet latching system works every time.

For added security, U-Loc™ handle comes with a cylinder lock and key set or accepts an optional padlock. Haz-Alert™ reflective warning labels are highly visible under fire conditions or during power outages when illuminated with a flashlight.

Patented SpillSlope® galvanized steel shelves direct spills to back and bottom of a leakproof 2" (51-mm) bottom sump. They adjust on 3" (76-mm) centers for versatile storage. Cabinets also feature dual vents with flame arresters, four adjustable self-leveling feet, grounding connector, and trilingual warning label. Durable lead-free epoxy/polyester powder-coat finish provides excellent chemical resistance.

Manual-close door(s) opens to a full 180 degrees and self-latches when pushed closed. Self-close door(s) shuts and latches automatically when a fusible link melts at 165°F (74°C) under fire conditions. Unique, concealed self-closing mechanism offers obstruction-free access to contents.

All door styles meet OSHA and NFPA 30; self-close door styles also meet NFPA 1 and the International Fire Code.

Most cabinets are FM approved and all come with a ten-year warranty.

The High Security Safety Cabinet is ideal for use in high risk environments such as construction sites, correctional facilities, schools, maintenance areas, and nurseries/retail locations. In addition to all the Classic Cabinet features listed below the unique security system includes a high visibility steel barrier bar secured across both doors to deter prying. Padlock holes on crossbar and side bar channel are located on each side of the cabinet, provide double-layered steel strength and accept No. 5 Master Locks. Set of two keyed-alike locks are sold separately. Customarily, the yellow cabinet is used for flammables, the red is used for combustibles, the green is used for pesticides, and the blue is used for corrosives.

Specifications

Model No	SC29884P
UPC	697841101609
Brand	Justrite
International Model No.	SC29884P
Color	Green
Material Specifications	18-Gauge Steel
FM Approval	Yes
OSHA Compliance	Yes
Complies with International Fire Code	Yes
Complies with NFPA Code 30	Yes
Capacity	45 gallon
Liter Capacity	170
Number of Doors	2
Door Style	Self-close
Number of Shelves	2
Adjustable Shelves	Yes
Exterior Dimensions, inches	65" H x 43" W x 18" D
Exterior Dimensions, mm	1651mm H x 1092mm W x 457mm D
Interior Dimensions, inches	60.5" H x 39.5" W x 14.6" D
Interior Dimensions, mm	1537mm H x 1003mm W x 370mm D
Height	65
Width	43
Depth	18
Net Weight, lbs	277.0
Net Weight, kgs	125.6

Prop 65

⚠️WARNING: This product can expose you to chemicals including lead, which is known to the State of California to cause cancer and birth defects or other reproductive harm. For more information go to www.P65Warnings.ca.gov.